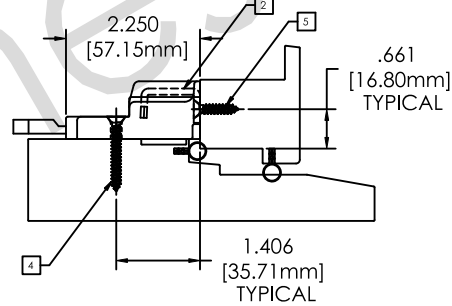
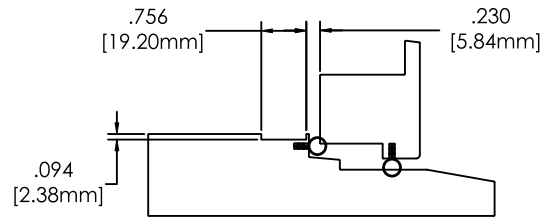


54.18"	14817.92	62-7/8	64.183	62-7/8
54.18"	10311.92	46-7/8	48.18	46-7/8
53.50"	12534.92	46-3/16	47.50	46-3/16
50.62"	10348.92	43-5/16	44.62	43-5/16
48.31"	11448.92	41	42.31	41
47.50"	12533.92	40-3/16	41.50	40-3/16
42.64"	10347.92	35-5/16	36.62	35-5/16
42.20"	10310.92	34-7/8	36.18	34-7/8
41.51"	12532.92	34-3/16	35.50	34-3/16
37.83"	10543.92	30-1/2	31.81	30-1/2
36.20"	10413.92	28-7/8	30.18	28-7/8
35.51"	12531.92	28-3/16	29.50	28-3/16
35.01"	10492.92	27-3/4	29.06	27-3/4
30.64"	10353.92	23-5/16	24.62	23-5/16
30.20"	10309.92	22-7/8	24.18	22-7/8
29.51"	13658.92	22-3/16	23.50	22-3/16
27.70"	10412.92	20-3/8	21.68	21.68
25.83"	10542.92	18-1/2	19.81	18-1/2
20.51"	12529.92	16-3/16	17.50	13-3/16



LOCK & KEEPER PLACEMENT

ITEM #	PART NO.	DESCRIPTION	QTY.
1	16.19.XX.210	LOW PF SH LOCK W/HOLE	2
2	31344.93	KEEPER, LOW PF SH LOCK	2
3	XXXXX.92	TIE BAR, C TO C (REFER TO TIE BAR CHART)	1
4	19260.XX	SCREW 8X1-1/4 PH FH SMS Y2P (LOCK)	4
5	19218.92	SCREW 8X3/4 PH FH SMS Y2P (KEEPER)	4



ROUTE AND LOCATION

TIE BAR CHART

CUSTOMER PAGE

DATE:	DESIGNED BY:	INTERPRETED BY:	DRAWING TITLE:
REV:	LOC:	THIRD ANGLE PROJECTION:	16.19 APPLICATION
SCALE:	1/8" = 1"	DATE:	21257B-2